

## GV-FE520 5M H.264 Fisheye IP Camera

GV-FE520



\* GV-FE520 is excluded from Japan, EU and German market.

### Introduction

The GV-FE520 is a fisheye camera that allows you to monitor all angles of a location using just one camera. The distorted hemispherical image of the fisheye camera will be converted into the conventional rectilinear projection.

Without installing any software, you can watch live view and utilize functions such as motion detection, privacy mask, and alert notification through the Web interface using an IE browser. In addition, the GV-FE520 seamlessly integrates with the GV-System, providing advanced monitoring and video management features.

The GV-Fisheye IP Camera is designed to be mounted on the ceiling, wall or ground. There are two ways to mount the GV-FE520 on the ceiling, Hard Ceiling Mount and In-Ceiling Mount. In-Ceiling Mount allows the GV-FE520 to be mounted into the ceiling, revealing a small portion of the camera.

### Key Features

- 5M progressive scan CMOS
- H.264 and MJPEG
- Electronic Day/Night function
- Provides 360 and 180 degrees panorama view
- No mechanical moving parts
- Built-in Web server for monitoring through IE browser
- Virtual PTZ function
- Auto Pan function
- Different angle of view accessible by multiple users at the same time
- Playback from any view angle and zoom level
- Privacy mask
- Visual automation
- Tampering alarm
- Built-in microphone and speaker
- One sensor input and alarm output
- DC 12V / AC 24V / PoE
- Micro SD/SDHC Card Slot
- 16 languages on Web interface

Fisheye Source Image



Single View



2 x 180° View

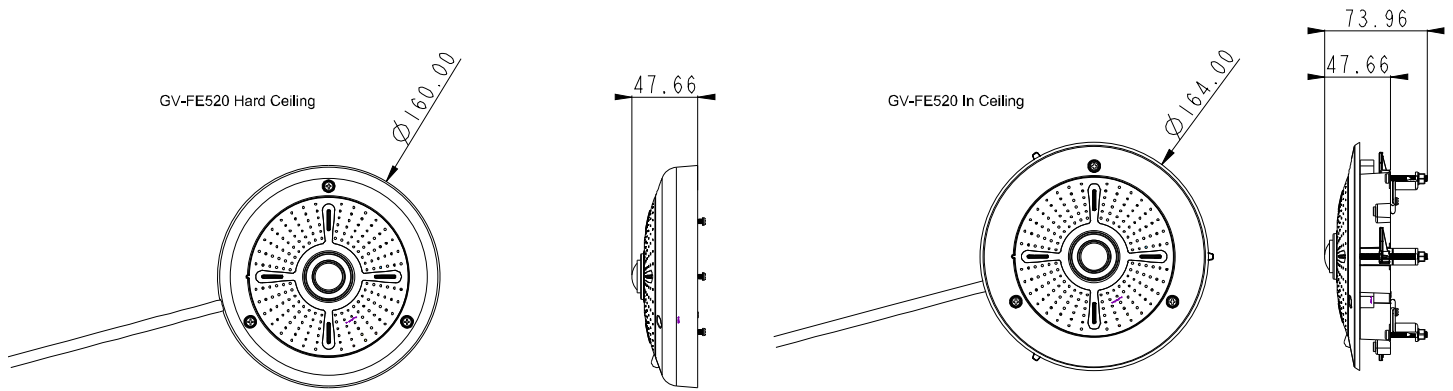


360° View



Quad View



**SPECIFICATIONS**

**System Requirements**

OS	32-bit	Windows XP / Vista / 7 / Server 2008
	64-bit	Windows 7 / Server 2008
GV-System Version	GV-System V8.5.0.0 or later	
Browser	Internet Explorer 7.x or later	

**Camera**

Image Sensor	1/2.5" progressive scan CMOS	
Picture Elements	2560 (H) x 1920 (V)	
Minimum Illumination	Color	2 Lux at F/2.0
	B/W	
Shutter Speed	Automatic , Manual (1/5 - 1/8000 sec)	
White Balance	Automatic, Manual (2800K~8500K)	

**Optics Lens**

Megapixel	Yes	
Electronic Day/Night function	Yes	
Iris	Fixed Iris	
Focal Length	1.6 mm	
Aperture	F/2	
Mount	M12, Pitch 0.5 mm	
Image Format	4.7 mm (Image Circle)	
Angle of View	Diagonal	185°
	Horizontal	185°
	Vertical	185°
Operation	Focus	None
	Zoom	None
	Iris	Fixed

**Operation**

Video Compression	H.264, MJPEG
Video Streaming	Single stream from H.264 or MJPEG
Frame Rate	10 fps at 2560 x 1920
Image Setting	Brightness, Contrast, Sharpness, Gamma, White Balance, Flicker-less, Backlight Compensation, Image Orientation, Shutter Speed, Day / Night
Audio Compression	G.711, AAC (16 kHz / 16 bit) * AAC is only supported by GV-System V8.5 or later
Sensor Input	1 Digital Input (Dry Contact)
Alarm Output	1 Digital Output

**Network**

Interface	10/100 Ethernet
Protocol	HTTP, HTTPS, TCP, UDP, SMTP, FTP, DHCP, NTP, UPnP, DynDNS, RTSP, PSIA, SNMP, QoS (DSCP)

**Mechanical**

Lens Mounting	M12, Pitch 0.5 mm / 0.02 in
Temperature Detector	Yes

Connectors	Power	Terminal block (3 pin ), PoE
	Ethernet	Ethernet (10/100 Base-T), RJ-45 Connector
	Audio	Built-in microphone and speaker
	Digital I/O	I/O Wire
	Auto Iris	None
	Local Storage	Micro SD/SDHC memory card slot
	TV-Out	None

### General

Environment Temperature	0 °C ~ 50 °C / 32 °F ~ 122 °F		
Humidity	10% to 90% (no condensation)		
Power Source	12V DC / 24V AC / PoE (IEEE802.3af)		
Power Consumption	4.1 W (max. 335mA at 12V DC)		
Dimensions	Camera Body	Hard-Ceiling Mount	ø 160 x 44.9 mm / 6.30 x 1.77 in
		In-Ceiling Mount	ø 164 x 44.9 mm / 6.46 x 1.77 in
	Cable Length	1 m / 3.28 ft	
	Cable Diameter	ø 8 mm / 0.31 in	
	Maximum Connector Diameter	ø 28.5 mm / 1.12 in	
Weight	650 g / 1.43 lb		
Regulatory	CE, FCC, C-Tick, RoHS compliant		

### Power over Ethernet

PoE Standard	IEEE 802.3af Power over Ethernet / PSE
PoE Power Supply Type	End-Span
PoE Power Output	Per Port 48V DC, 350mA. Max. 15.4 watts

### Web Interface

Installation Management	Web-based configuration
Maintenance	Firmware upgrade through Web Browser or Utility
Access from Web Browser	Camera live view, video recording, change video quality, bandwidth control, image snapshot, digital I/O control, audio, Picture in Picture, Picture and Picture, Privacy Mask, Visual Automation, Tampering Alarm, Auto Pan function, virtual PTZ, motion detection, wide angle lens dewarping, text overlay
Language	Czech / Danish / English / French / German / Hebrew / Hungarian / Italian / Japanese / Polish / Portuguese / Russian / Serbian / Simplified Chinese / Spanish / Traditional Chinese

### Applications

Network Storage	GV-NVR, GV-System
Live Viewing	IE
CMS Server Support	GV-Control Center, GV-Center V2, GV-VSM, GV-Backup Center, GV-Video Gateway, GV-Recording Server

**Note:** Specifications are subject to change without notice.